

FlowGuard 6279 v2

Advanced Pressure Transmitter



Applications:

- Room pressure
- Laboratories
- Isolation room
- Industry
- Static pressure
- Clean rooms
- Hospitals
- Server rooms

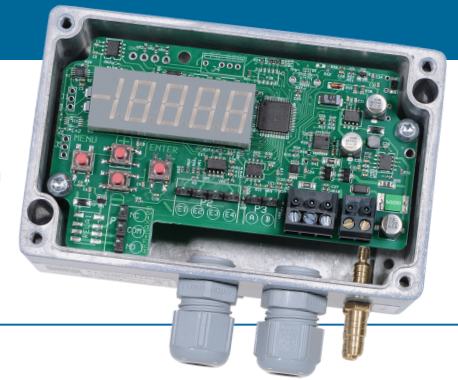
PSIDAC

Care is in the Air

FlowGuard 6279 v2

6279 v2 Features:

- LED-Display for setup
- Easy to install and configure
- Optional visible display
- Field selectable output
- Accurate & Stability
- Selectable Range
- Optional Auto calibration
- High Resolution
- 2 separate analogue outputs: Both V and mA



The FlowGuard 6279 v2 is an updated version of 6279 with a faster, and better processor with higher resolution. The advanced processor transmitter is aimed for the standard pressure measurement tasks. It's designed with the user and installer in mind. The 6279 v2 eliminate many of the problems that traditional sensors suffer from and provide as much flexibility as possible.

The unit has field selectable features like 2 separate independent scalable signal outputs. A Volt (0-1, 0-5, 0-10, 1-10, 2-10V) and a Current (0-20, 4-20mA). That the customer can select the output ranges on in steps of 1Pa or 0.001 inch/H₂O. And to simplify the installation, the 6279 v2 uses display and push buttons to make all the settings easy.

With these options in one sensor you can cover e.g. static duct pressure measuring (unidirect [U] sensor), or most situations for room pressure measurements. And if the 6279 v2 is ordered with Bidirectional sensor [B] it's possible to measure both positive and negative pressures. The analogue output will be at middle point of selected output range when pressure is at zero for the bidirect model.

The sensor has a silicone membrane and works with capacitive technique. It's extremely accurate and durable. To further improve it, auto calibration is an option for applications where any small drift over time is not accepted, as in hard to reach locations, or when the sensor is configured for very low pressures like ± 5 Pa.

6279 v2 now also have optional DIN rail mount on the back.

And the pressure reading can be reached by BMS through any of the 2 separate independently scalable analogue outputs, connected to a PLC or other controllers.

Type designation:

Part no example: **6279B0250ZxxD**

Model 6279 (6279), Bidirect sensor (B) range +/- 250Pa (0250), with AutoZero (Zxx) option, and with a DIN rail mount (D), no special.

Model no.	Sensor	Range	Options	Mount	Special
6279	B	0250	Zxx	D	xxx
4pos	1 pos	4pos	3pos	1pos	3pos
	B/T/U	0250	Z/D/x	S/D	Special ver
	B=Bidirect \pm	0500	Z=AutoZero	S=Standard chassi	
	T=Thermal	1250	D=Display	D=DIN rail 35mm	
	U=Unidirect \pm	2500	x=n/a (free pos)		

Specifications:

Sensor models*	Max ranges
6279 B 0025	± 25 Pa
6279 B 0065	± 65 Pa
6279 B 0250	± 250 Pa
6279 B 0500	± 500 Pa
6279 B 1250	± 1250 Pa
6279 B 2500	± 2500 Pa
6279 U 0500	0-500 Pa
6279 U 2500	0-2500 Pa
6279 T 0250	0-250 Pa

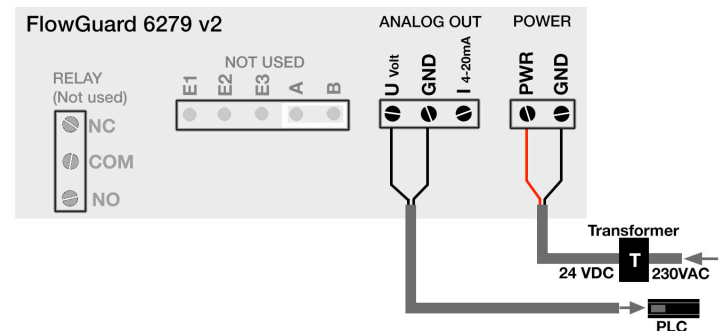
*Other ranges and options available (contact us for information).

Power Supply	24 VAC/DC (18V-45V). Max 100mA (2,5W) @ 24VDC
Output Volt	Selectable 0-1, 0-5, 0-10, 1-10, 2-10V
Output Current	Selectable 0-20, 4-20mA
Resolution	12 bit digital output
Total error	$\pm 0,5$ Pa typical (500/ B250 Pa sensor)
Stability	Typical less than 1 Pa / year
Time constant	0.05 - 20 seconds
Pressure connectors \varnothing	Dual diameters Dy 5 mm and 1/4"
Media	Air / Dry gas
Temp**	Operation -10...+60°C. Storage -40...+60°C**
Housing and IP rating	Aluminium, IP 65 with mounted seal
Mounting	Standard chassi, or with optional DIN rail mounts on the back (35mm rail).
Dimension	125 x 90 x 60 mm
Weight	530 g

Features & specifications are subject to change without notice.

** Temp range operation for model with AutoZero is -5 to 50°C. Contact us for a cold operation solution if needed.

Wiring example:



Note! External components and cables are not included

Document: 6279v2_Product-leaflet-A4-ver7-PSIDAC